

6.1.5. EVF PORTION (Model: A, C, D)

| STEP /LOC. No. | PART | Fig. No. | REMOVE |
|----------------|--------------------|----------|-----------------|
| ① | Eye Cap Unit | D9-1 | (S-1), (L-1) |
| ② | EVF Case A | D9-2 | 2(S-2), 5(L-2) |
| ③ | EVF Dust Cover | D9-2 | ----- |
| ④ | EVF Case B Unit | D9-2 | ----- |
| ⑤ | VCR Operation Unit | D9-3 | FP901 |
| ⑥ | CRT | D9-3 | CRT Socket Unit |
| ⑦ | Deflection Yoke | D9-3 | P903 |
| ⑧ | EVF C.B.A. | D9-3 | ----- |

Note:

When disassembling or reassembling, make sure that no dust gets in EVF Unit.

6.1.5.2. EVF Case A, EVF Dust Cover, EVF Case Unit

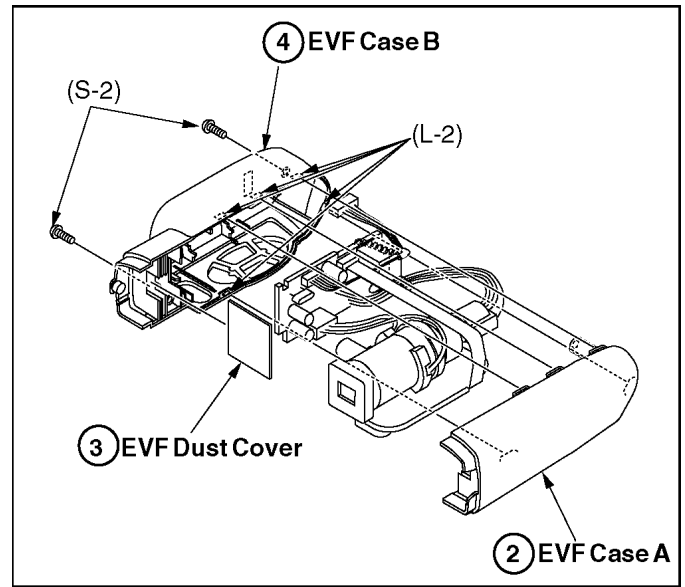


Fig. D9-2

6.1.5.1. Eye Cap Unit

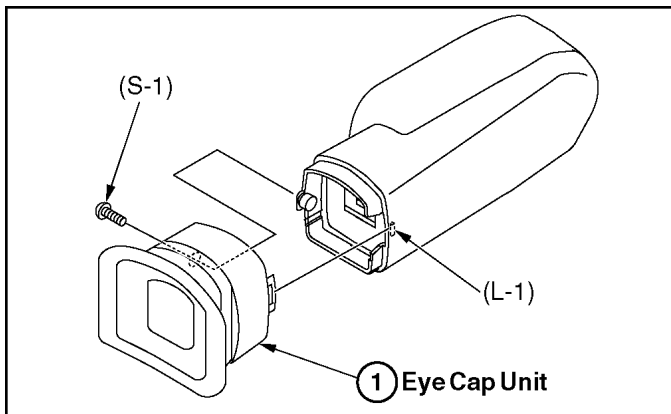


Fig. D9-1

6.1.5.3. VCR Operation Unit, CRT, Deflection Yoke, EVF C.B.A.

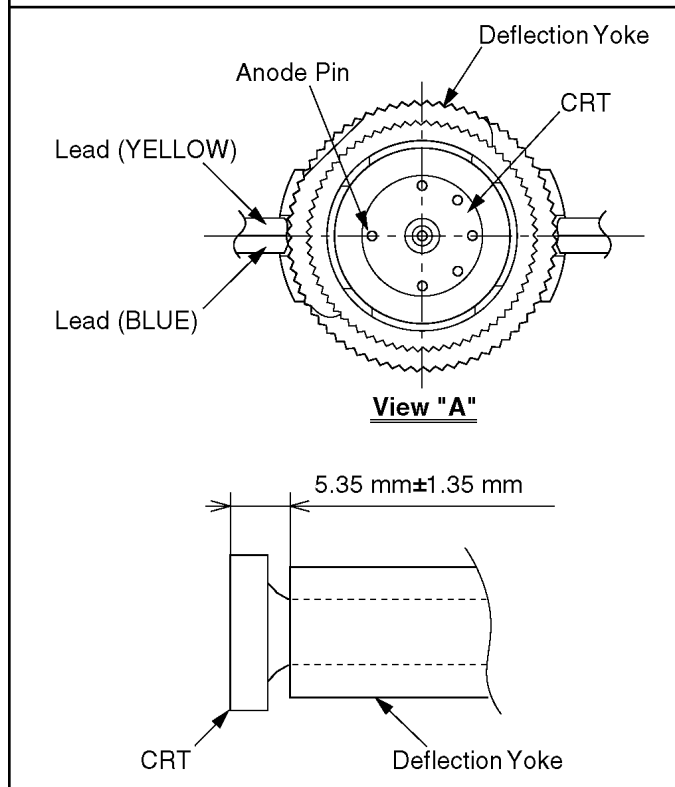
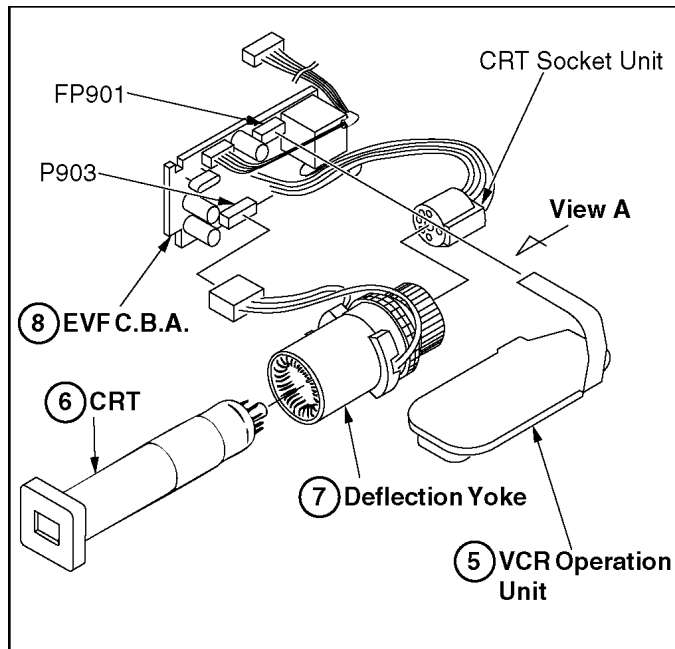


Fig. D9-3

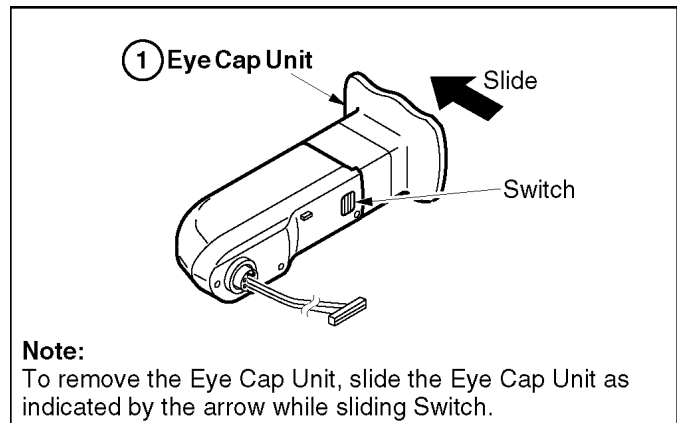
6.1.6. COLOR EVF PORTION (Model: B)

| STEP /LOC. No. | PART | Fig. No. | REMOVE |
|----------------|--------------------|----------|----------------|
| ① | Eye Cap Unit | D10-1 | ----- |
| ② | EVF Case A | D10-2 | 2(S-1), 6(L-1) |
| ③ | EVF Case B Unit | D10-2 | ----- |
| ④ | Lock Knob | D10-2 | Lock Spring |
| ⑤ | VCR Operation Unit | D10-2 | FP901 |
| ⑥ | Color EVF A C.B.A. | D10-3 | FP902, B902 |
| ⑦ | Color EVF B C.B.A. | D10-3 | 4(L-2) |
| ⑧ | LCD Cushion | D10-3 | ----- |
| ⑨ | LCD Panel | D10-3 | ----- |
| ⑩ | EVF Lens Cover A | D10-3 | 2(L-3) |
| ⑪ | Protect Plate | D10-3 | ----- |
| ⑫ | EVF Lens Cover B | D10-3 | ----- |
| ⑬ | EVF Lens Holder | D10-3 | ----- |

Note:

When disassembling or reassembling, make sure that no dust gets in Color EVF Unit.

6.1.6.1. EVR Cover, Side Case L Unit



Note:

To remove the Eye Cap Unit, slide the Eye Cap Unit as indicated by the arrow while sliding Switch.

Fig. D10-1

6.1.6.2. EVF Case A, EVF Case B Unit, Lock Knob, VCR Operation Unit

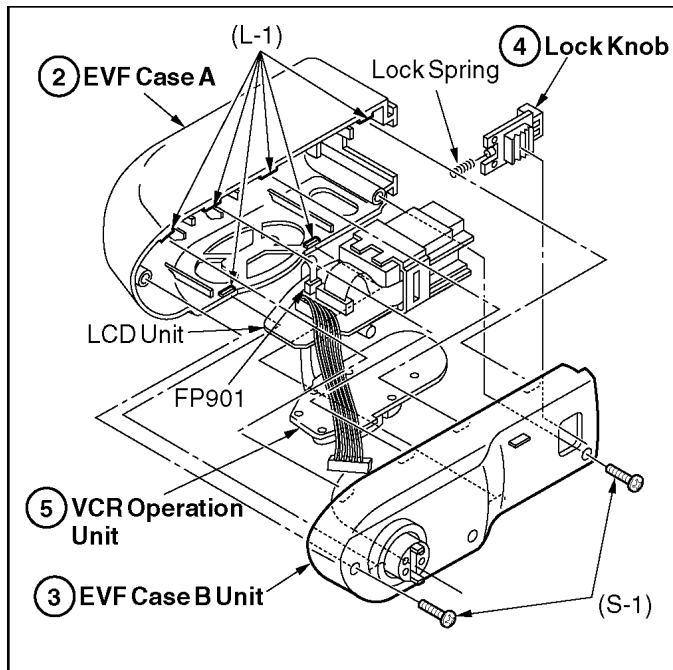


Fig. D10-2

6.1.6.3. Color EVF A C.B.A., Color EVF B C.B.A., LCD Cushion, LCD Panel, Protect Plate, EVF Lens Cover B, EVF Lens Holder

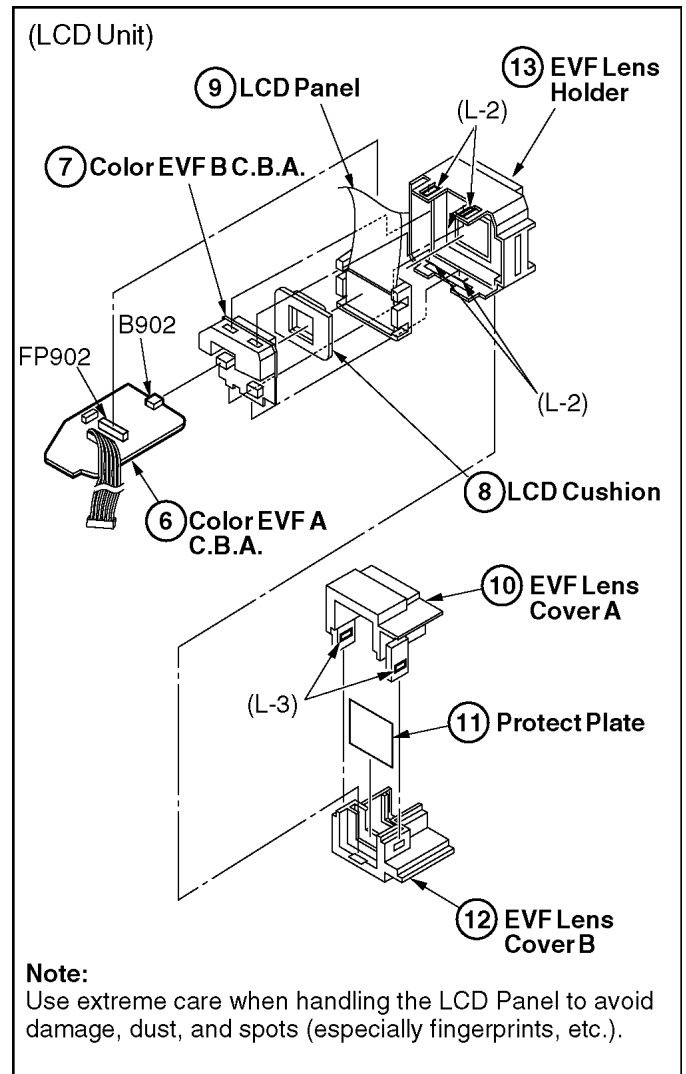
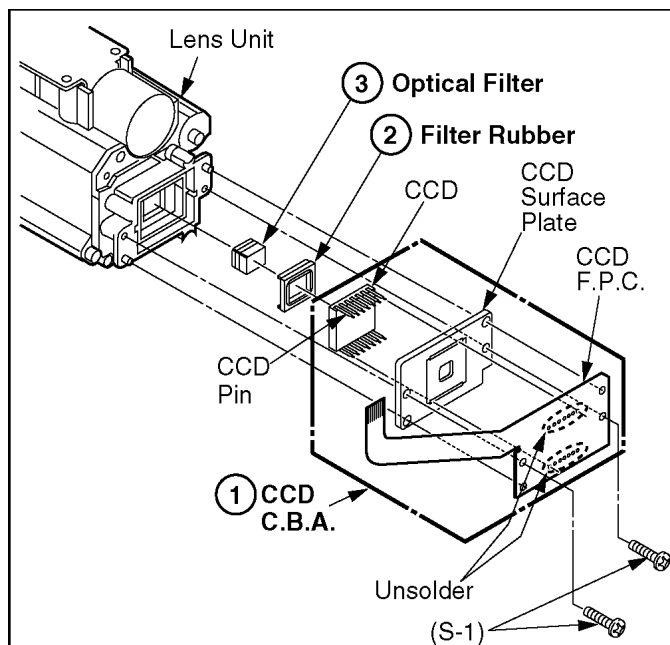


Fig. D10-3

6.1.7. LENS PORTION A

| STEP /LOC. No. | PART | Fig. No. | REMOVE |
|----------------|----------------|----------|--------|
| ① | CCD C.B.A. | D11-1 | 2(S-1) |
| ② | Filter Rubber | D11-1 | ---- |
| ③ | Optical Filter | D11-1 | ---- |

6.1.7.1. CCD C.B.A., Filter Rubber, Optical Filter



Note:

- 1. Removal of the CCD and the CCD Surface Plate**
- (1) Unsolder the CCD Pins on the CCD F.P.C.
- (2) Remove the CCD and the CCD Surface Plate from the CCD F.P.C.

CAUTION:

- (1) When removing the CCD C.B.A., take care so that the Optical Filter does not fall out.
- (2) Take extreme care when removing the CCD because it is easily damaged by static electricity. Use a Wrist Strap while removing and installing.
- (3) Do not apply heat to the CCD directly when soldering. Keep soldering time to a minimum to prevent damage to the CCD.
- (4) Do not touch the CCD window surface when servicing.

Fig. D11-1

Reassembly Note:

1. Installation of the Optical Filter

- (1) Install the Optical Filter in the Lens Unit correctly.

Note:

Be sure to install the Optical Filter with the thinnest layer of the Optical Filter facing toward the Lens Unit. Make sure that no dust gets on the Optical Filter and in the Lens Unit. Clean the Optical Filter with lens cleaning paper dampened with lens cleaner if necessary.

2. Installation of the Filter Rubber

- (1) Install the Filter Rubber on the Optical Filter with the ridge side facing toward the Optical Filter.

Note:

Make sure that no dust gets on the Filter Rubber.

3. Installation of the CCD C.B.A.

- (1) Place the CCD Surface Plate so that Holes (A) are aligned with Holes (B) on the CCD F.P.C.
- (2) Carefully install the CCD onto the CCD F.P.C. by soldering.

Note:

Do not apply heat to the CCD directly when soldering. Keep soldering time to a minimum to prevent damage to the CCD. Install the CCD and CCD Surface Plate so that there are no gaps between them. When installing, do not touch the CCD window surface and make sure that no dust gets on the CCD. Clean the CCD window surface with lens cleaning paper dampened with lens cleaner if necessary.

- (3) Install the CCD C.B.A. to the Lens Unit. Then, secure 2 Screws (S-1) while keeping the CCD C.B.A. pressed toward the upper right corner.

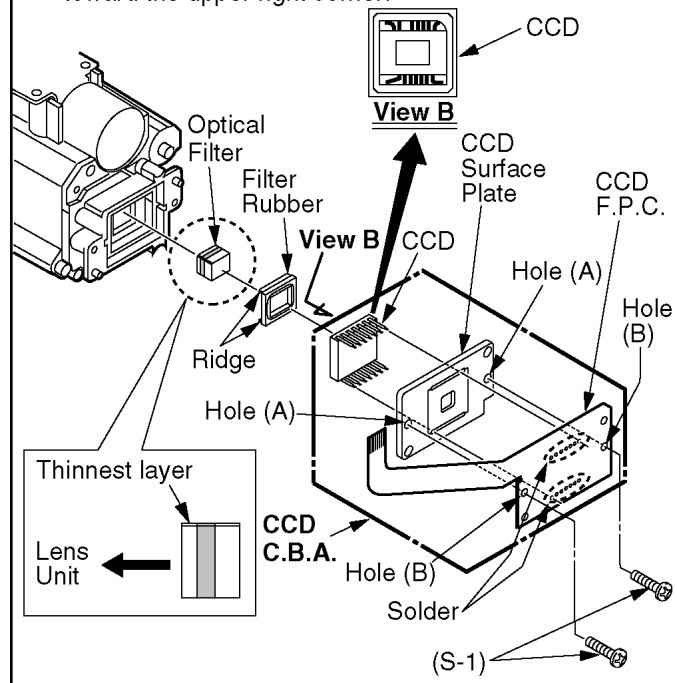


Fig. D11-2

6.1.8. LENS PORTION B

| STEP /LOC. No. | PART | Fig. No. | REMOVE |
|----------------|------------------|----------|-------------------------|
| ① | Lens Piece Unit | D12-1 | 2(S-1), 2(L-1) |
| ② | MF VR Unit | D12-1 | (S-2) |
| ③ | Focus Motor Unit | D12-2 | 2(S-3), Unsolder |
| ④ | Zoom Motor Unit | D12-2 | (S-4), 2(S-5), Unsolder |

6.1.8.1. Lens Piece Unit, MF VR Unit

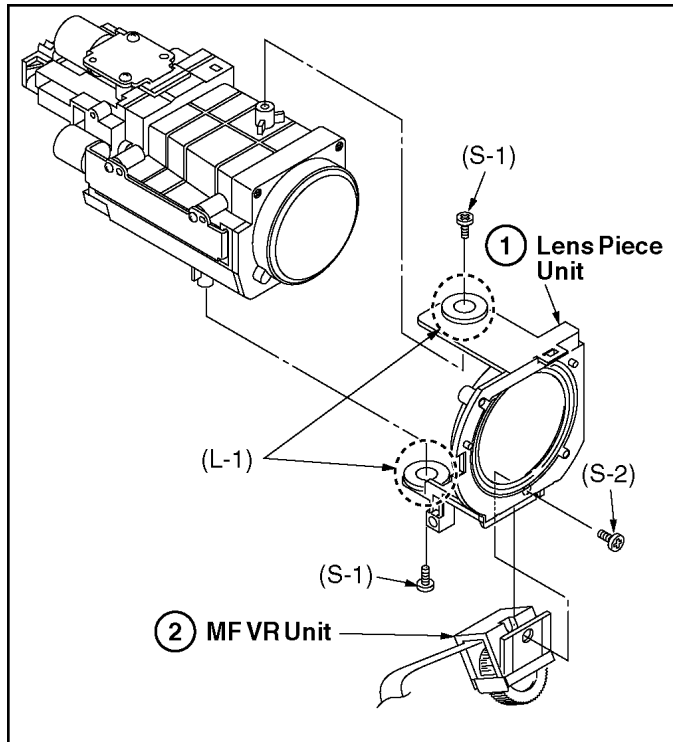
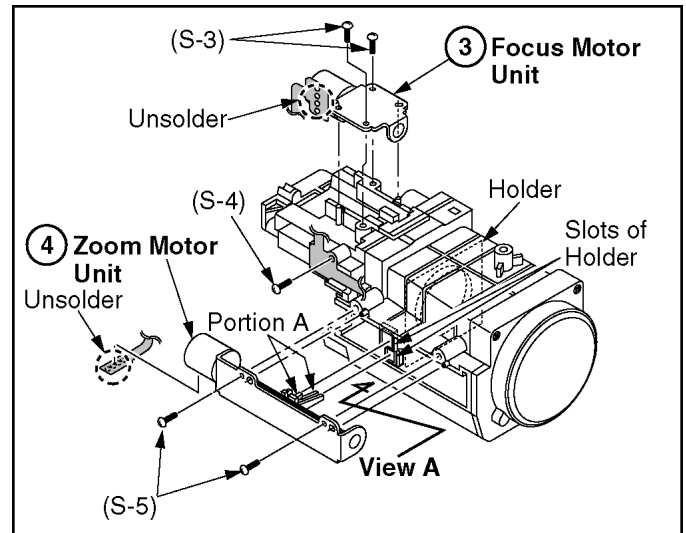


Fig. D12-1

6.1.8.2. Focus Motor Unit, Zoom Motor Unit



Reassembly Note:

When installing the Zoom Motor Unit, install so that the Portion A of Zoom Motor Unit is inserted to Slots of Holder by sliding the Holder.

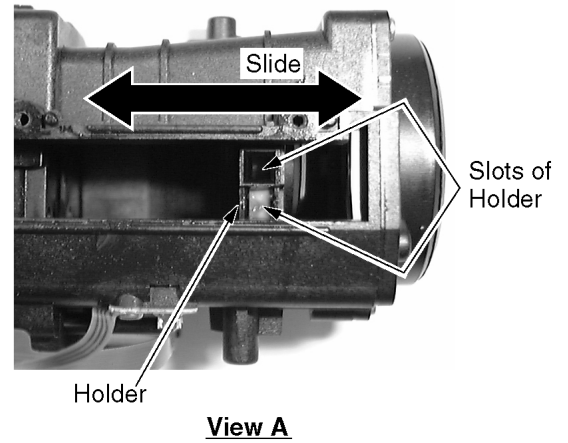


Fig. D12-2

6.1.9. SIDE CASE R PORTION

| STEP /LOC. No. | PART | Fig. No. | REMOVE |
|----------------|------------------------|----------|-------------------------------|
| ① | MIC Case Unit | D13-1 | (S-1), (L-1), 2(L-2), R Hinge |
| ② | Top Operation Unit | D13-2 | (S-2), (L-3) |
| ③ | CF Card Connector Unit | D13-3 | ----- |
| ④ | Battery Catcher Unit | D13-4 | (S-3), Backup Cover, Battery |

6.1.9.1. MIC Case Unit

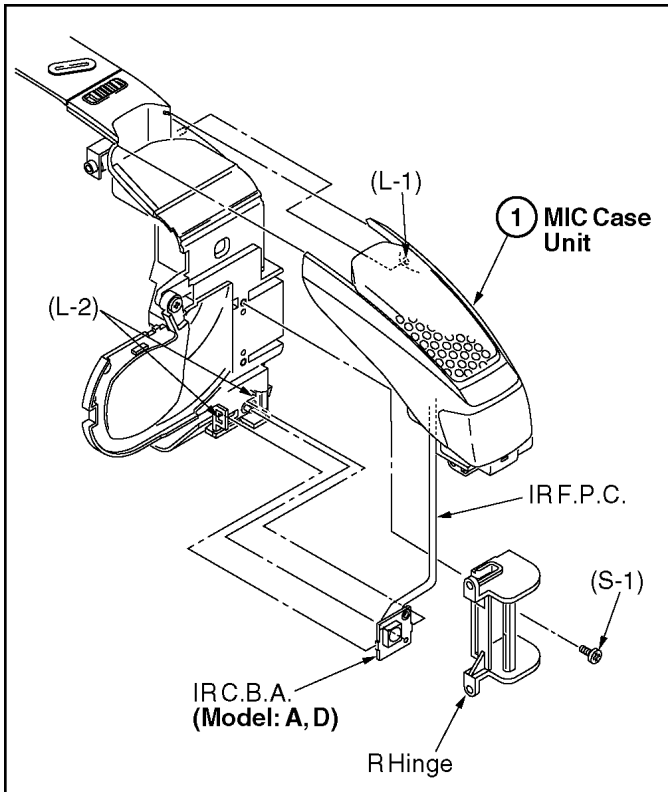
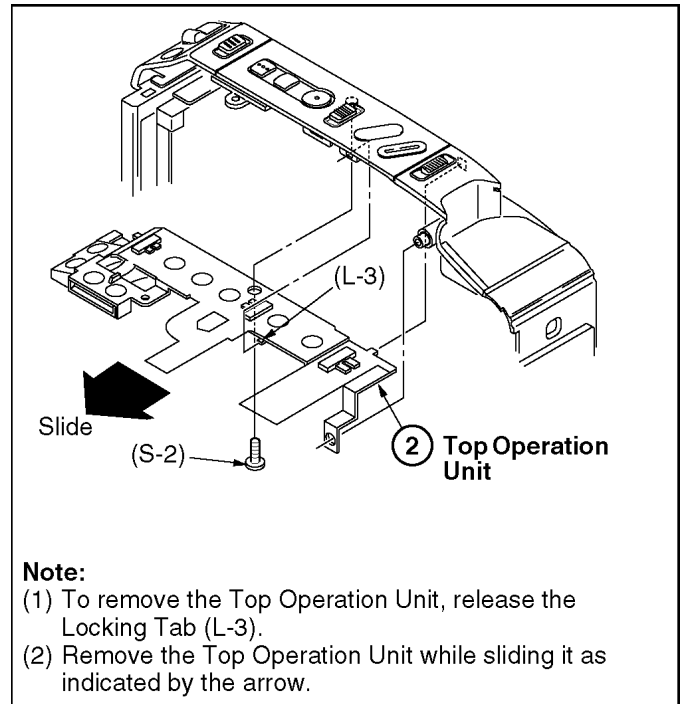


Fig. D13-1

6.1.9.2. Top Operation Unit



Note:

- (1) To remove the Top Operation Unit, release the Locking Tab (L-3).
- (2) Remove the Top Operation Unit while sliding it as indicated by the arrow.

Fig. D13-2

6.1.9.3. CF Card Connector Unit

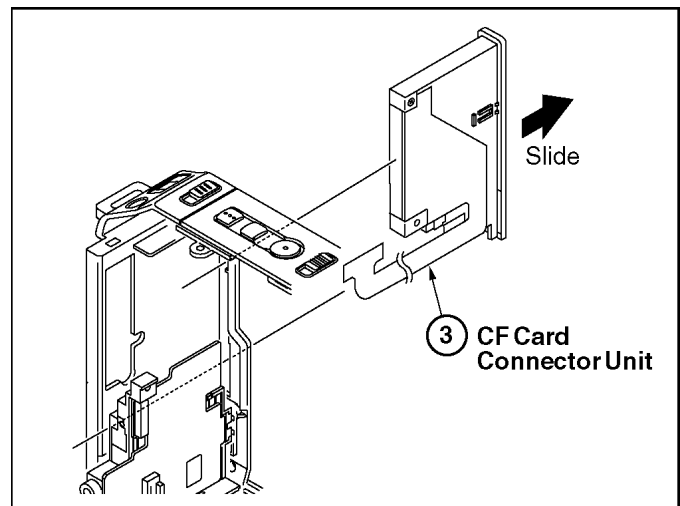
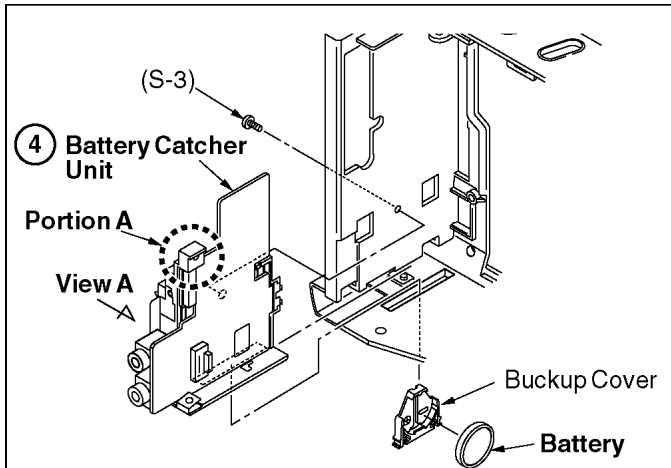


Fig. D13-3

6.1.9.4. Battery Catcher Unit



WARNING:
DANGER OF EXPLOSION IF BATTERY IS INCORRECTLY REPLACED. REPLACE ONLY WITH THE SAME OR EQUIVALENT TYPE.

CAUTION:
 Be careful not to break Portion A when removing or installing the Battery Catcher Unit.

- Note:**
- (1) To remove the Battery Catcher Unit, first remove the Backup Cover with the Battery.
 - (2) Remove Screw (S-3).
 - (3) Slide the Battery Catcher Unit out by pushing Portion B and C as indicated by the arrow.

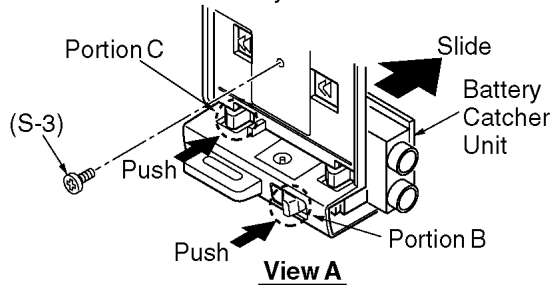


Fig. D13-4

6.1.10. LAMP PORTION

DANGER:
 When replacing the Lamp, use only Lamp (Part No. VLLW0015) supplied by Panasonic to reduce the risk of fire. Use a cloth or tissue when handling the Lamp as finger oils will decrease the Lamp life. To prevent possible burn hazard, remove the Light Cover and allow the Lamp to cool before replacing.

- Note:**
1. Lamp is supplied as a Lamp Kit only (Kit No. VULS0001) which contains Lamp, Cushions, and Explanation Sheet.
 2. For more details of the Lamp replacement, refer to the Explanation Sheet in the Lamp Kit (VULS0001).

| STEP /LOC. No. | PART | Fig. No. | REMOVE |
|----------------|-------------|----------|--------|
| ① | Light Cover | D14-1 | 2(L-1) |
| ② | Lamp | D14-2 | ----- |

6.1.10.1. Light Cover

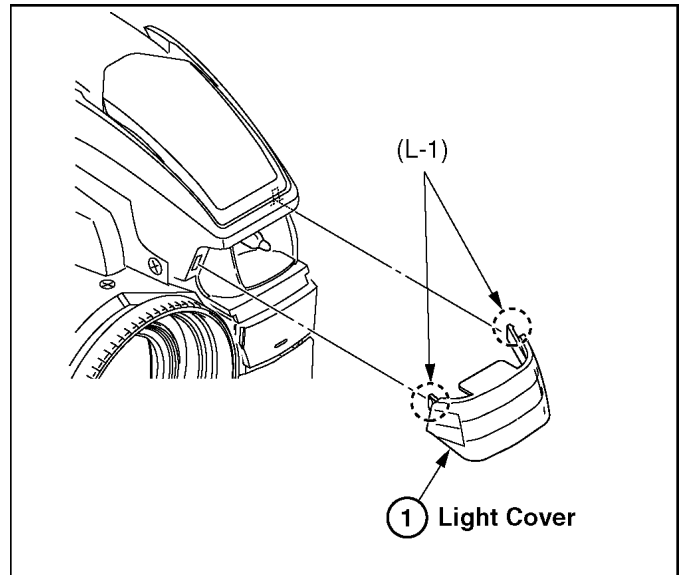
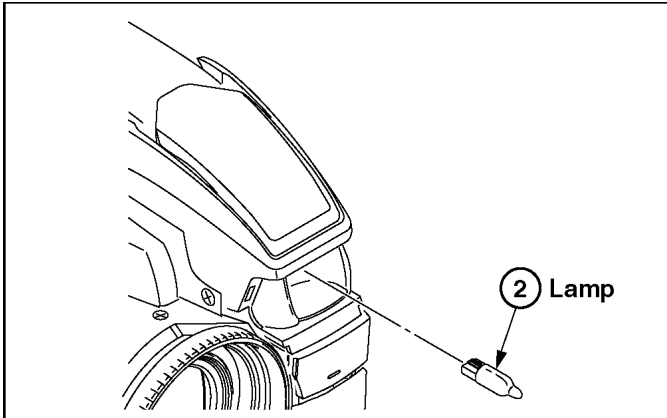


Fig. D14-1

6.1.10.2. Lamp



Note:

- 1) When removing the Lamp, use Needle-nose Pliers etc.
- 2) When installing the Lamp, do not touch the surface of Lamp directly. Use a clean cloth or tissue to install the Lamp.

Fig. D14-2